

# HEMOMATIK Sweden

Liquid level switch

Art.nr. HMFB-V

V=..... mm

Drawing nr. HMFB-V

Rev. 5

Approved P.L. 930513

Scale 1:2

Date 930402

Sign. MEM

For switchpoint .....mm, see label

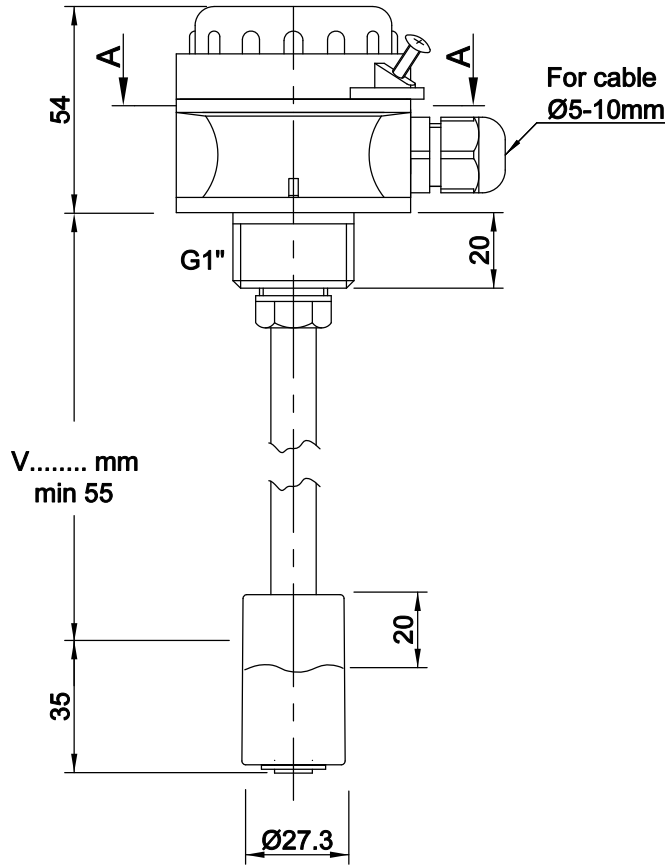
Rev. date 211102



Ground



2 1 3



### FEATURES

Float liquid level sensor with REED-technology to activate pumps or valves via relays or PCs. Recommended for oil and petroleum fluids.

### MATERIALS

Stem : Brass  
 Float : Buna-N (nitrofuel)  
 Junction box : Polyamid 6  
 Gasket : Nitrile  
 Temp. media : -20...+100°C  
 Temp. ambient : -20...+70°C

### CONTACT SYMBOLS

S = means NC low, NO going upwards  
 O = means NO low, NC going upwards  
 V = change over

### PROTECTION DEGREE

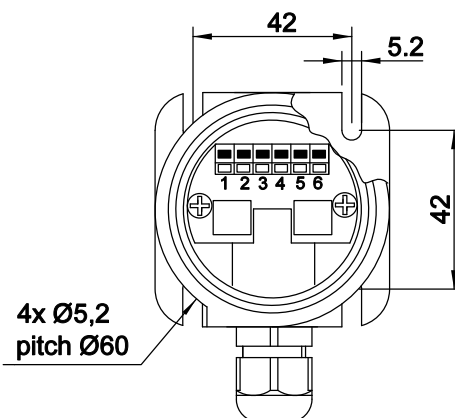
Junction box : IP67  
 Stem : IP68

### ELECTRICAL DATA

Contact rating *	60 VA
max voltage	3-230 VAC/DC
max current	1 A

\* = resistive load

Note. Above values are for resistive loads. Mechanical life is 30 millions. Use series resistor for lamp load, or other suitable protection for inductive loads if the rating is higher than 1/10 of the values above.



Section A-A

Rights to the design and drawing belongs to HEMOMATIK Sweden, copyright ©

■ = Switch closed

□ = Switch open