

HEMOMATIK Sweden

Liquid level and temperature switch

Art.nr. HMFB-ST

S=..... mm

Drawing nr. HMFB-ST

Rev. 4

Approved P.L. 930831

Scale 1:2

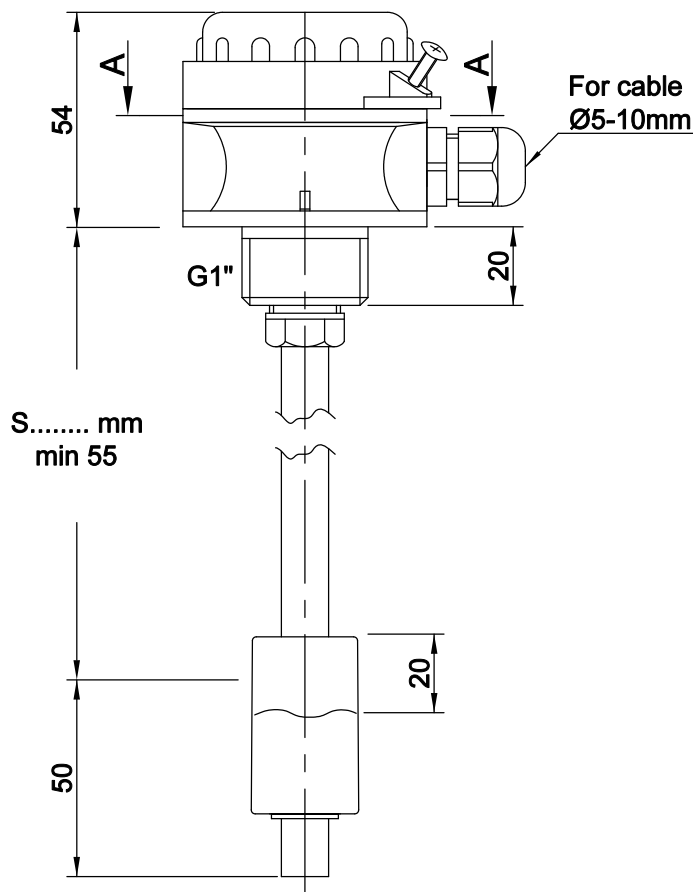
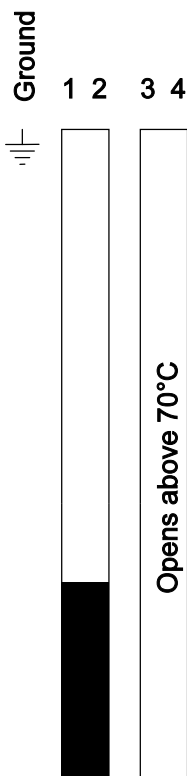
T=70°C

Date 920826

Sign. MEM

For switchpointmm, see label

Rev. date 211007



FEATURES

Float liquid level sensor with REED-technology to activate pumps or valves via relays or PCs. Recommended for oil and petroleum fluids.

MATERIALS

Stem : Brass
 Float : Buna-N (nitrofuel), S.G. 0,42
 Junction box : Polyamid 6
 Gasket : Nitrile
 Temp. media : -20...+100°C
 Temp. ambient : -20...+70°C

CONTACT SYMBOLS

S = means NC low, NO going upwards
 O = means NO low, NC going upwards
 V = change over

TEMPERATURE SWITCH

Level sensors may be equipped with built in over-temperature protection, if specified. Standard temperature switches open above +70°C and reset at +50°C. Other temperature settings or closing of contacts and tighter tolerances upon request.

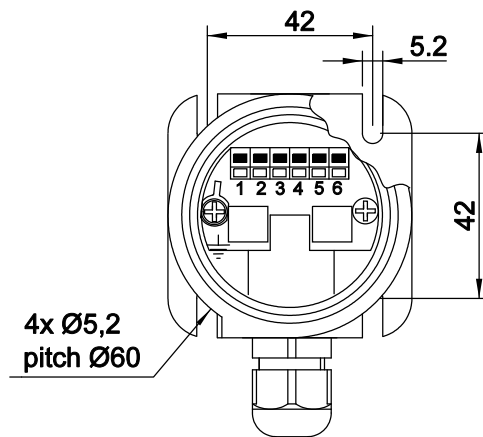
PROTECTION DEGREE

Junction box : IP67
 Stem : IP68

ELECTRICAL DATA

Contact rating *	70 VA
max voltage	3-230 VAC/DC
max current	1,5 A

* = resistive load
 No ground = max 50 V



Section A-A

Rights to the design and drawing belongs to HEMOMATIK Sweden, copyright ©

■ = Switch closed
 □ = Switch open

Note. Above values are for resistive loads. Mechanical life is 30 millions. Use series resistor for lamp load, or other suitable protection for inductive loads if the rating is higher than 1/10 of the values above.