

# HEMOMATIK Sweden

Liquid level switch

Art.nr. HMFB-SO

S=..... mm

Drawing nr. HMFB-SO

Rev. 4

Approved P.L. 930607

Scale 1:2

O=..... mm

Date 920827

Sign. MEM



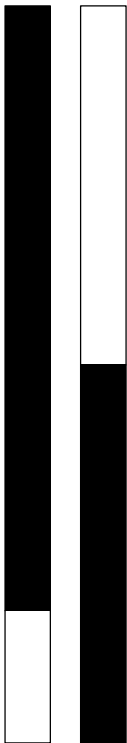
For switchpoints .....mm, see label

Rev. date 211008

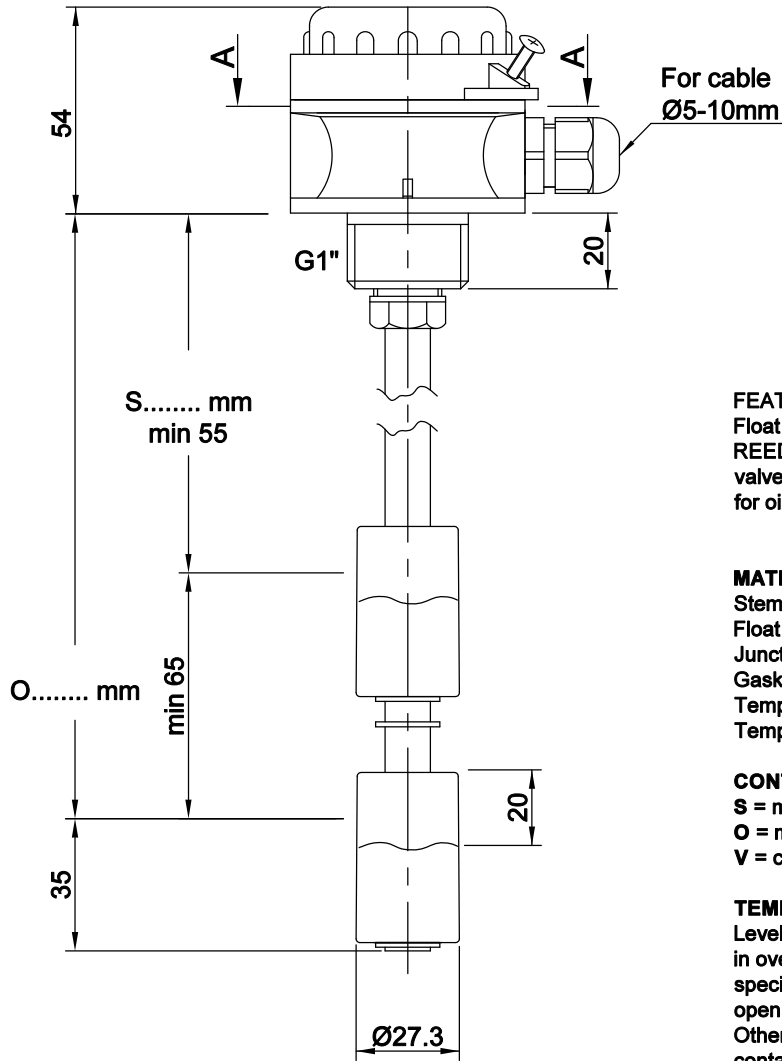
Ground



1 2 5 6



Rights to the design and drawing belongs to HEMOMATIK Sweden, copyright ©



For cable  
Ø5-10mm

### FEATURES

Float liquid level sensor with REED-technology to activate pumps or valves via relays or PCs. Recommended for oil and petroleum fluids.

### MATERIALS

Stem : Brass  
Float : Buna-N (nitrofuel), S.G. 0,42  
Junction box : Polyamid 6  
Gasket : Nitrile  
Temp. media : -20...+100°C  
Temp. ambient : -20...+70°C

### CONTACT SYMBOLS

S = means NC low, NO going upwards  
O = means NO low, NC going upwards  
V = change over

### TEMPERATURE SWITCH

Level sensors may be equipped with built in over-temperature protection, if specified. Standard temperature switches open above +70°C and reset at +50°C. Other temperature settings or closing of contacts and tighter tolerances upon request.

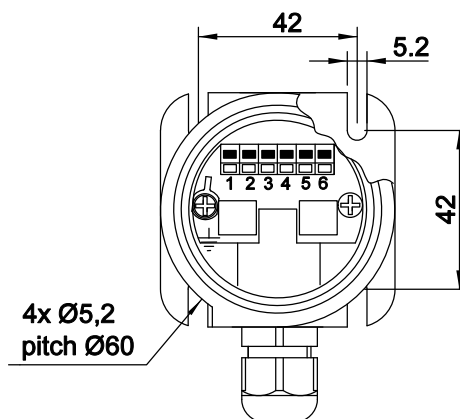
### PROTECTION DEGREE

Junction box : IP67  
Stem : IP68

### ELECTRICAL DATA

Contact rating *	70 VA
max voltage	3-230 VAC/DC
max current	1,5 A

\* = resistive load  
No ground = max 50 V



Section A-A

■ = Switch closed

□ = Switch open

Note. Above values are for resistive loads. Mechanical life is 30 millions. Use series resistor for lamp load, or other suitable protection for inductive loads if the rating is higher than 1/10 of the values above.