

HEMOMATIK

Sweden

Liquid level switch

Art.nr. HMFB-OOTI20-100

O=..... mm, O=..... mm

Drawing nr. HMFB-OOTI20-100

Rev. 3

Approved P.L 090504

Scale 1:2

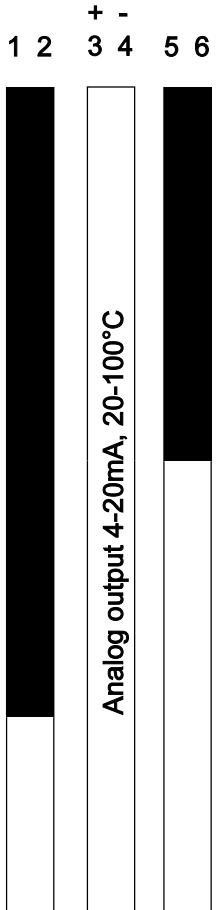
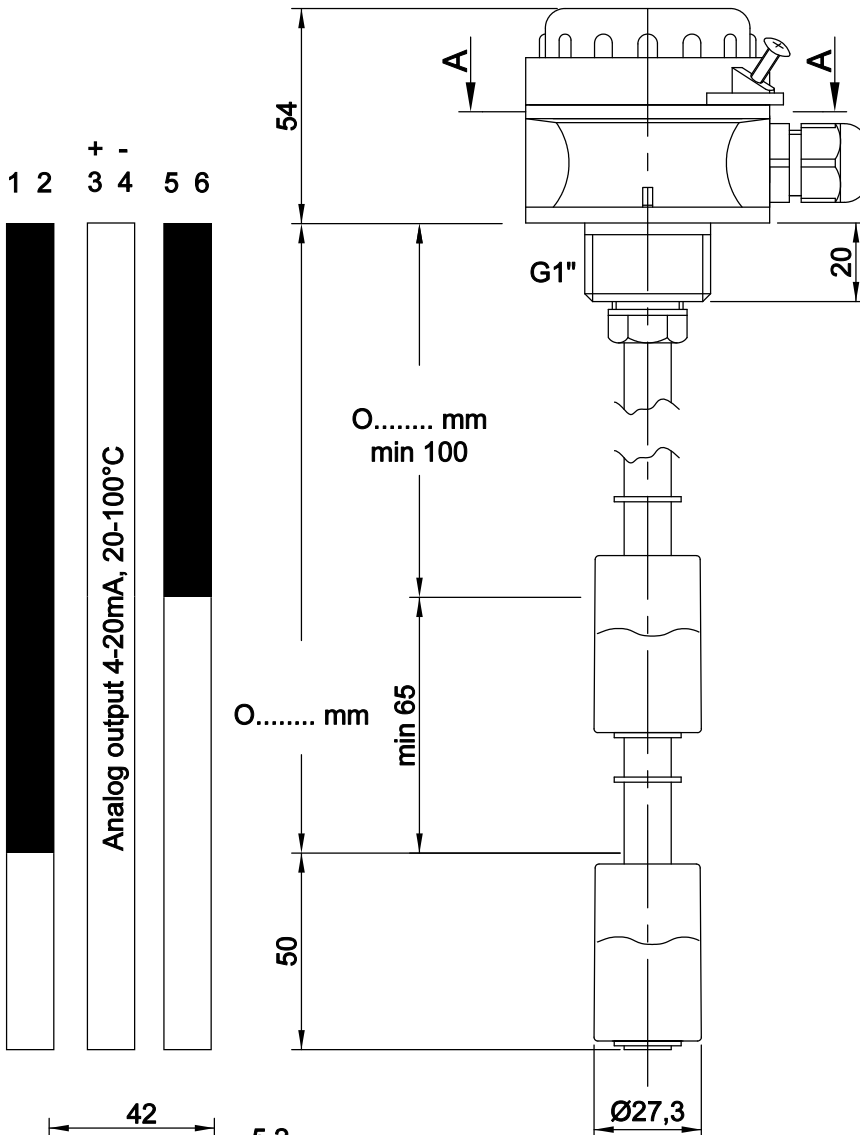
Temperature 20-100°C, 4-20mA

Date 090119

Sign. MEM

For switchpointmm, see label

Rev. date 211005



Analog output 4-20mA, 20-100°C

For cable Ø5-10mm

FEATURES

Float liquid level sensor with REED-technology to activate pumps or valves via relays or PCs. Recommended for oil and petroleum fluids.

MATERIALS

Stem : Brass
 Float : Buna-N (nitrofuel), S.G. 0,42
 Junction box : Polyamid 6
 Gasket : Nitrile
 Temp. media : -20...+100°C
 Temp. ambient : -20...+70°C

CONTACT SYMBOLS

O = means NO low, NC going upwards

TEMPERATURE SENSOR

Temperature range between +20°C..+100°C
 This sensor gives 4mA at 20°C and 20mA at 100°C. For linearity see curve.

PROTECTION DEGREE

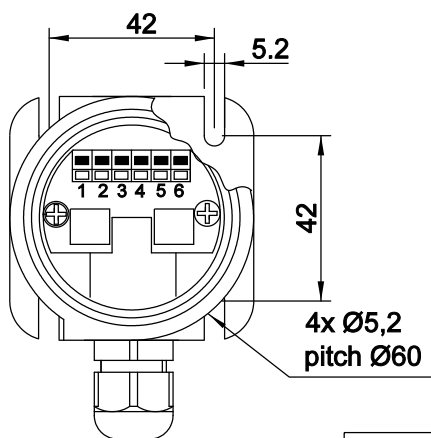
Junction box : IP67
 Stem : IP68

ELECTRICAL DATA

Contact rating *	70 VA/W
Supply voltage	3-48 VAC/DC
max current	1,5 A
Supply voltage (temp)	10-30 VDC
Output (temp)	4-20 mA

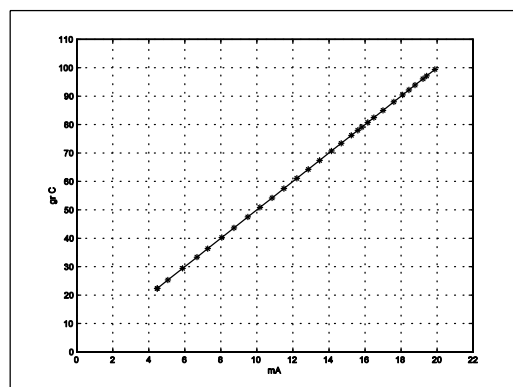
* = resistive load

Note. Above values are for resistive loads. Mechanical life is 30 millions. Use series resistor for lamp load, or other suitable protection for inductive loads if the rating is higher than 1/10 of the values above.



Section A-A

Typ. linearity



Rights to the design and drawing belongs to HEMOMATIK Sweden, copyright ©

■ = Switch closed
 □ = Switch open