

HEMOMATIK
SWEDEN

Scale
1:1

Liquid level switch
with connector

Art.no.
HM-RFS12P-2

Drawing no.
HM-RFS12P-2

Rev.
3

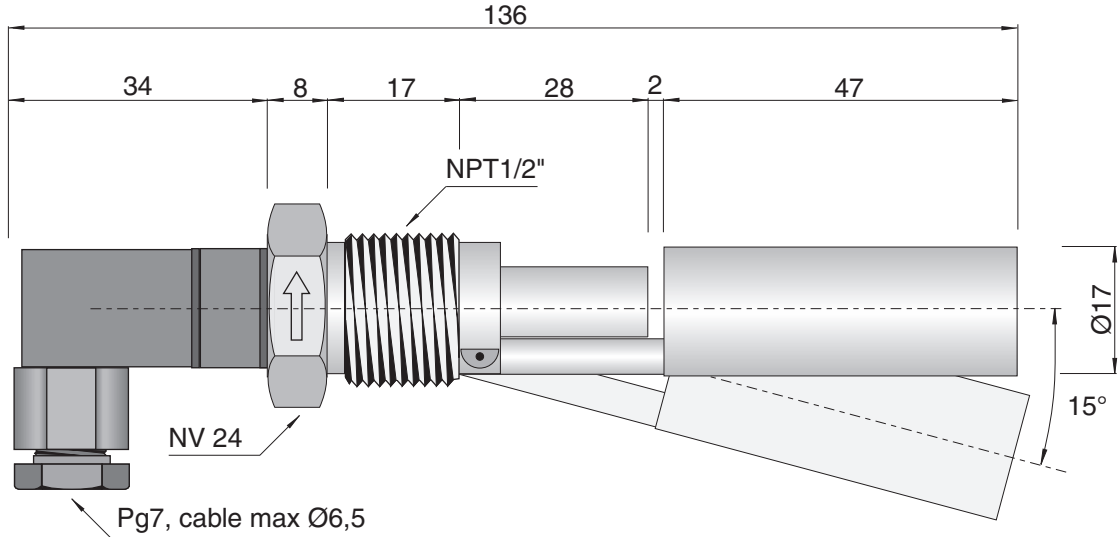
Approved

Date
941123

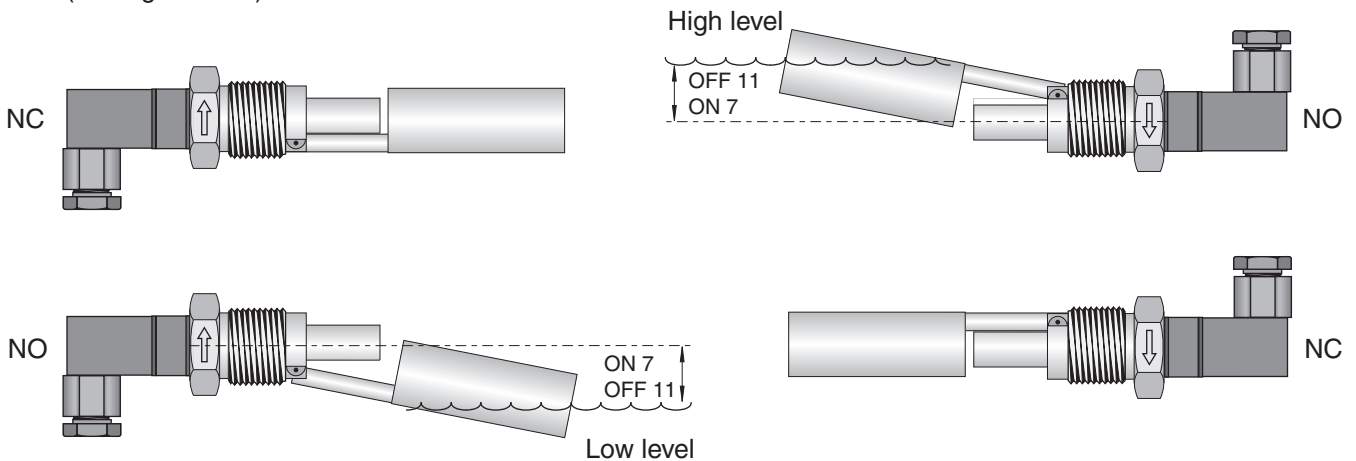
Sign.
MEM

Rev.date
080422

Art.group

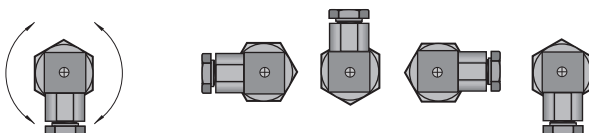


Switching points in water
(average values)



Delivery status of connector is for vertical mounting.
Make sure pivot of the float is down for NO going low
or up for NC going low.

Connector can be mounted up, down or sideways.



Connector	Polyamid, IP65
Fitting	SUS304
Float	SUS304
max. temp	120°C
max pressure	5Kg/cm ² (IP68)
Contact rating*	50VA
max voltage	48 V AC/DC (300V)**
max current	0,5A

*= resistiv load

**=only when connected to ground