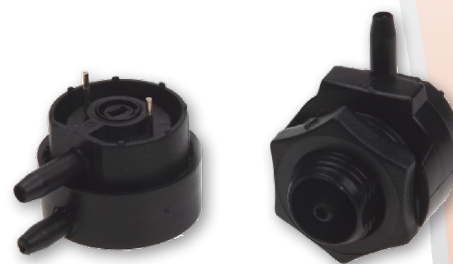
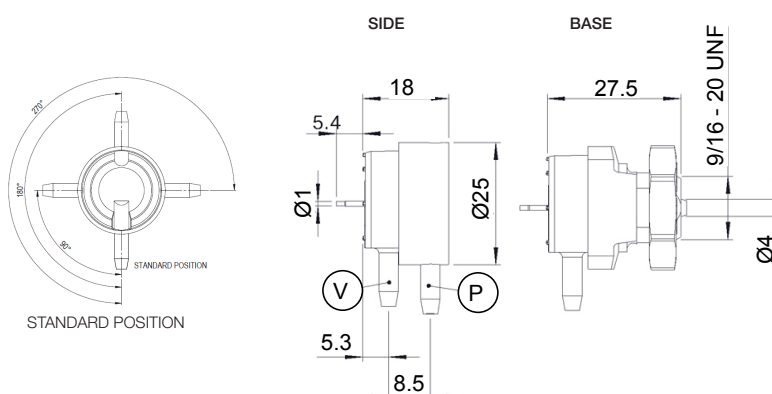


- A range of small switches designed for direct mounting on printed circuit boards
- UL versions available upon request
- Low pressure switching
- Slow make contacts
- Available with back or side tube entry
- Silver or gold contact options
- Switches can be factory set within specified tolerances
- Various spout orientations available



Reference dimensions in mm



General specifications

Standards/approvals	UL 508 specific models only	Pressure range	n/a
Degree of protection	n/a	Operating temperature range	-10° C to +85° C (flow solder 220°C for 5 sec)
Connection method	Back & side entry spout, Ø2 or Ø4 mm	Body material	Thermoplastic
Electrical rating	See table	Weight	0.008 kg
Contact configuration	SPST N/O	Additional information	For pressure or vacuum versions see 6763/6761 in Pressure/Vacuum section. Temperature compensated versions available upon request
Diaphragm	Silicone		
Mechanical life	1 x 10 ⁸ cycles		

6891 & 6893 Range options and specifications

Model No.	6891 standard			6893 sensitive	
Nominal set point	mbar	37 or 62		15 or 25	
Maximum Hysteresis	mbar	0.15			
Body withstand pressure	mbar	2,040			
flow rate litre/min (with temperature compensation)	mbar	8 – 30 cc/min @ 77			
Pressure connection	back & side entry spout, Ø4mm back entry Ø2mm only				
Connecting tube reference	2311-01 / 2311-08 to suit Ø4mm spout 2311-03 to suit Ø2mm spout				
Diaphragm	Silicone				
Contact plating	Min.	Silver	Gold	Silver	Gold
Contact rating	Min.	10 mA 24V DC	10 mA 24V DC	10 mA 24V DC	10 mA 24V DC
	Max.	0.5 A 250V AC	50 mA 250V AC	0.5 A 250V AC	50 mA 250V AC
UL Approved Versions	Max.	50 mA 250V AC	10 mA 24V DC	50 mA 250V AC	10 mA 24V DC