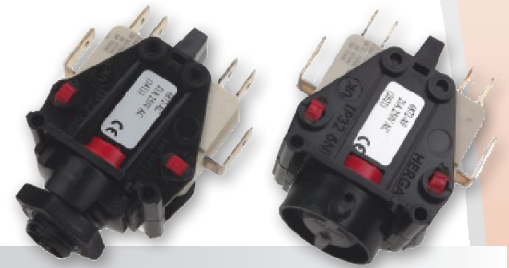


# 6871 & 6872 Airswitches

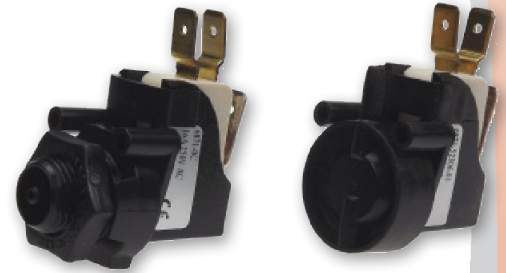
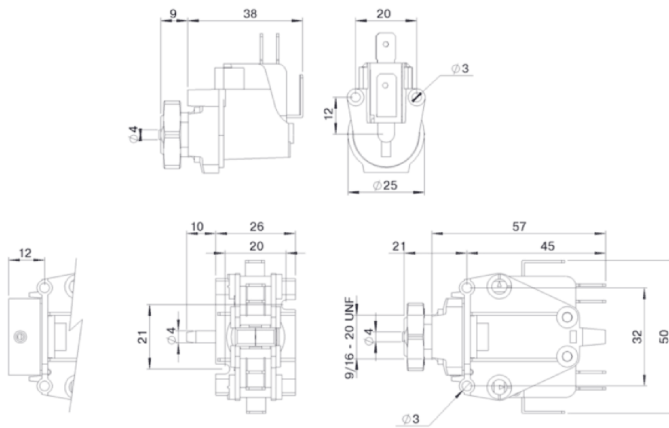


Technology Ltd

- UL/CSA approved versions of the models shown below are available upon request
- Ideal for OEM applications
- Back or side entry spout
- Choice of latching and momentary actions available



## Reference Dimensions mm



## General specifications

**Standards/approvals** UL 508; CSA C22.2 No. 0, C22.2 No. 55 specific models only. All major European approvals

**Degree of protection** n/a

**Operating temperature range** -5°C to +40°C

**Body material** Thermoplastic

**Weight** 6871 - 0.02 kg; 6872 - 0.04 kg

**Additional information** Double diaphragm variants available upon request  
Temperature compensated versions available upon request

## 6871 / 6872 - Range options and specifications

Model part no.	Stock models				
	6871-OC	6871-AC	6872-OC	6872-AC	6872-HC
<b>No. of poles &amp; action</b>	SPCO momentary	SPCO latching	DPCO momentary	DPCO latching	DPCO (1 pole momentary 1 pole latching)
<b>Spout connection</b>	back entry 4mm Dia.				
<b>Alternate spout model no.</b>	back entry 2mm 6871-OK side entry 4mm 6871-01	back entry 2mm 6871-AK side entry 4mm 6871-A0	back entry 2mm 6872-OK side entry 4mm 6872-00	back entry 2mm 6872-AK side entry 4mm 6872-A0	back entry 2mm 6872-HK side entry 4mm 6872-H0
<b>Connecting tube part no's</b>	2311-08 to suit 4mm dia. spout 2311-01 to suit 2mm dia. spout				
<b>Diaphragm material</b>	Silicone				
<b>Current rating @ 250V AC</b>	16(4)A ½ HP	16(4)A ½ HP	21(8)A 2HP	21(8)A 2HP	21(8)A 2HP

6872-versions with double membrane on request



Herga Technology Ltd - Northern Way - Bury St. Edmunds - Suffolk - IP32 6NN - UK  
sales@herga.com • www.herga.com • +44 (0)1284 701422

Subject to change without notice