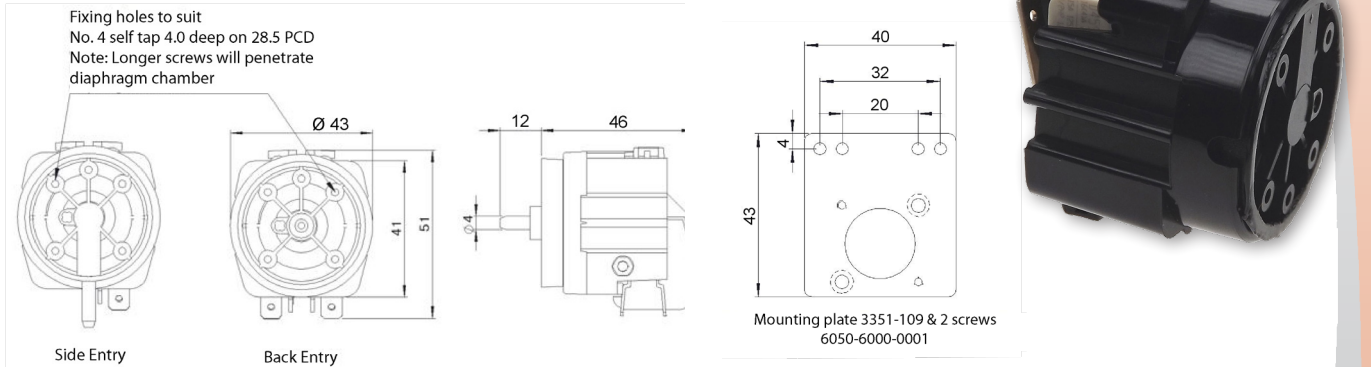


6861 to 6869 Airswitches

- General purpose airswitch
- Mounting plate available

Reference dimensions



Stock model: 6862-AO

Range options and specifications

Model No	6861-0C	6861-AC	6862-0C	6862-AC	6863-0C	6864-0C	6869-0C
Number of poles and action	SPCO momentary	SPCO latching	DPCO momentary	DPCO latching	SPCO momentary low pressure	DPCO staggered	SPCO momentary very low pressure
Air connection	Back entry, 4mm dia.						
Connecting tube part No's	2311-08						
Alternate spout Model No.	Side entry 4mm 6861-00	Side entry 4mm 6861-A0	Side entry 4mm 6862-00	Side entry 4mm 6862-A0	Side entry 4mm 6863-00	Side entry 4mm 6864-00	
Diaphragm material	Neoprene	Silicone	Neoprene	Silicone	Neoprene	Neoprene	Neoprene
Current rating @ 250V AC	21(8)A 2HP	21(8)A 2HP	21(8)A 2HP	21(8)A 2HP	10(1.7) 1/3HP	16A 2HP	3(1)A 1/10HP
Approvals available	UL 508	UL 508	UL 508	UL 508	UL 508		UL 508

General specifications

Standards/approvals	UL 508 specific models only	Pressure range	n/a
Degree of protection	n/a	Operating temperature range	-5°C to +40°C
Connection method	Back & side entry spout, Ø4 mm	Body material	Thermoplastic
Electrical rating	See table	Weight	0.044 kg
Contact configuration	See table		