

- ▶ High reliability for OEM manufacturer
- ▶ UL recognised versions available
- ▶ Double pole switching available as a 6742
- ▶ Wide choice of microswitch options including tag configurations
- ▶ High performance repeatability

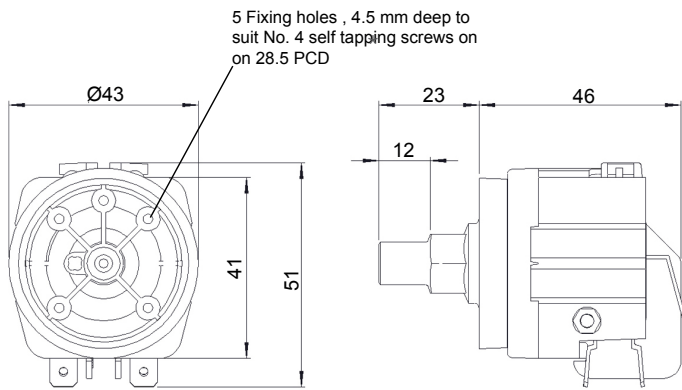
Specifications	
Standards/approvals	UL 508 specific models only
Degree of protection	n/a
Electrical rating	See table
Contact configuration	See table
Mech. life cycles	1 x 10 ⁶
Operating temperature range	-5° C to + 70° C
Body material	Thermoplastic
Spring	spring steel
Weight	6741: 0.05 kg 6742: 0.085 kg
Additional information	Setting accuracy ±10% For very low power circuits, gold contact versions are available upon request All alternative diaphragm & spring materials available upon request

Model part no.	6741 and 6742 -20/30/40/50/60					6741 and 6742 -70/80/90		
Pressure Range Min. (mbar)	100	200	340	540	1080	1700	3100	4140
Pressure Range Max. (mbar)	240	370	680	1220	2040	3790	5170	8270
Body withstand pressure (mbar)	2550						10000	
Connecting tube reference	1/8" BSPT & NPT Brass							
Diaphragm	Neoprene					Nitrile		



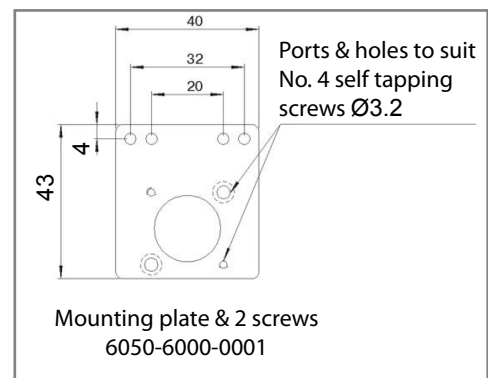
Electrical Data				
Model		6741		6742
Contact configuration		SPCO		DPCO
Contact plating		Silver		
Electical life		2 x 10 ⁵ @ 10A (Cycles) 1 x 10 ⁴ @ 21A (Cycles)		
Electrical rating		Maximum electrical load		
	Voltage (V)	Resistive (A)	Inductive (A)	Motor (Pf0.75)
AC	125	21	8	1HP
AC	250	21	8	2HP
DC	6	21	21	
DC	12	15	15	
DC	24	8	7	
DC	60	1	0.5	
DC	110	0.5	0.2	
DC	220	0.25	0.1	

Dimensions



* Note - Fixing holes not available in 6741 and 6742-70/80/90 models; fixing method by connector only

Mounting plate details





Suitability for use with the following media		
	6741-20/30/40/50/60	6741-70/80/90
Acetone	☑	☑
Ammonia (Liquid)	☑	☑
Amyl Alcohol to 20°C	☑	☑
Automotive Brake Fluid	☑	☑
Beer	☑	☑
Benzyl Alcohol	x	☑
Butane	✓	✓
Carbon Dioxide – Dry	✓	✓
Citric Acid	✓	✓
Copper Sulphate (Sol.)	☑	☑
Compressed Air	✓	✓
Cutting Oil	☑	✓
Diesel Oil	☑	✓
Detergent Solution	☑	✓
Fuel Oil	☑	✓
Glycol	✓	✓
Hydraulic Oil	☑	✓
Hydrogen	✓	✓
Lubricating Oil	☑	✓
Milk	☑	☑
Mineral Oil	☑	✓
Natural Gas	✓	✓
Nitric Acid (Dil.)	x	☑
Oxygen to 70°C	✓	✓
Petrol	☑	✓
Plating Solution (Chrome)	☑	☑
Salt Water	☑	☑
Sewage	☑	✓
Sulphur Dioxide	x	☑
Turpentine	☑	✓
Vinegar	☑	☑
Water	✓	✓

- ✓ = Recommend
- ☑ = Suitable with modification
- x = Not suitable

Stock model 6742-30