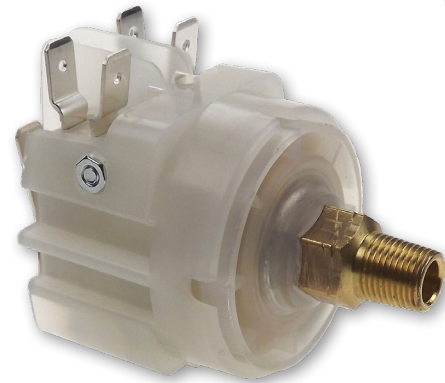


6741/6742 Medium Pressure Switch

Technology Ltd

- High reliability for OEM manufacturer
- UL recognised versions available
- Double pole switching available as a 6742
- Wide choice of microswitch options including tag configurations
- High performance repeatability



Stock model 6742-30

General specifications

Standards/approvals	UL 508 specific models only	Body material	Thermoplastic
Degree of protection	n/a	Spring	spring steel
Electrical rating	See table	Weight	6741: 0.05 kg 6742: 0.085 kg
Contact configuration	See table	Additional information	Setting accuracy $\pm 10\%$ For very low power circuits, gold contact versions are available upon request Alternative diaphragm & spring materials available upon request
Mech. life cycles	1×10^6		
Operating temperature range	-5°C to $+70^{\circ}\text{C}$		

6741 / 6742 Range options and specifications

Model part no.	6741 and 6742 -20/30/40/50/60					6741 and 6742 -70/80/90		
Pressure Range Min. mbar	100	200	340	540	1080	1700	3100	4140
Pressure Range Max. mbar	240	370	680	1220	2040	3790	5170	8270
Body withstand pressure mbar	2550					10000		
Connecting tube reference	1/8" BSPT & NPT Brass							
Diaphragm	Neoprene					Nitrile		

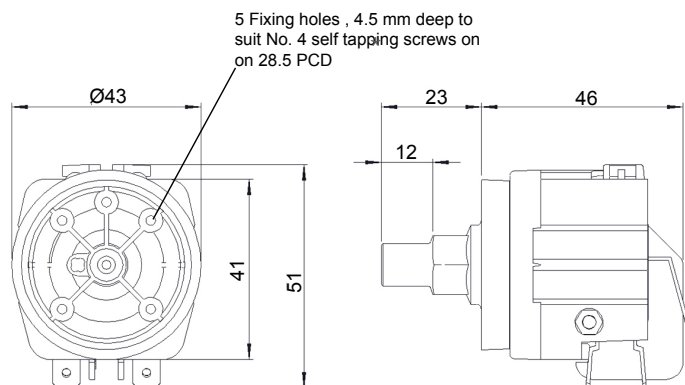
Electrical data

Model	6741			6742		
Contact configuration	SPCO			DPCO		
Contact plating	Silver					
Electical life Cycles	2 x 10 ⁶ @ 10A 1 x 10 ⁴ @ 21A					
Electrical rating	Maximum electrical load					
	Voltage (V)	Resistive (A)	Inductive (A)		Motor (Pf0.75)	
AC	125	21	8		1HP	
AC	250	21	8		2HP	
DC	6	21	21			
DC	12	15	15			
DC	24	8	7			
DC	60	1	0.5			
DC	110	0.5	0.2			
DC	220	0.25	0.1			

6741/6742 Medium Pressure Switch

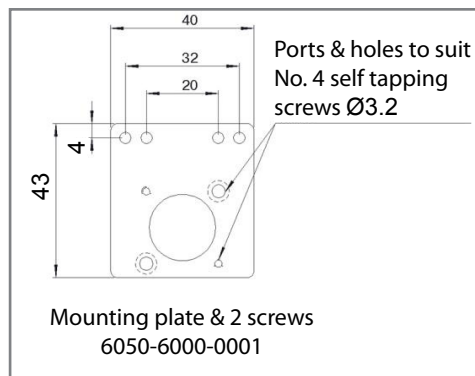
Technology Ltd

Reference dimensions in mm



* Note - Fixing holes not available in 6741 and 6742-70/80/90 models; fixing method by connector only

6741/6742: Mounting plate details:



Suitability for use with the following media:

	6741-20/30/40/50/60	6741-70/80/90
Acetone	☑	☑
Ammonia (Liquid)	☑	☑
Amyl Alcohol to 20°C	☑	☑
Automotive Brake Fluid	☑	☑
Beer	☑	☑
Benzyl Alcohol	x	☑
Butane	✓	✓
Carbon Dioxide – Dry	✓	✓
Citric Acid	✓	✓
Copper Sulphate (Sol.)	☑	☑
Compressed Air	✓	✓
Cutting Oil	☑	✓
Diesel Oil	☑	✓
Detergent Solution	☑	✓
Fuel Oil	☑	✓
Glycol	✓	✓

	6741-20/30/40/50/60	6741-70/80/90
Hydraulic Oil	☑	✓
Hydrogen	✓	✓
Lubricating Oil	☑	✓
Milk	☑	☑
Mineral Oil	☑	✓
Natural Gas	✓	✓
Nitric Acid (Dil.)	x	☑
Oxygen to 70°C	✓	✓
Petrol	☑	✓
Plating Solution (Chrome)	☑	☑
Salt Water	☑	☑
Sewage	☑	✓
Sulphur Dioxide	x	☑
Turpentine	☑	✓
Vinegar	☑	☑
Water	✓	✓

- ✓ = Recommend
- ☑ = Suitable with modification
- x = Not suitable