

6447 Twin Foot Bellows

- Angled base for ease of use
- Variety of colour options for OEM applications
- Ideal for dirty environments
- Lightweight or heavyweight bases available

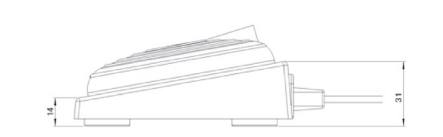
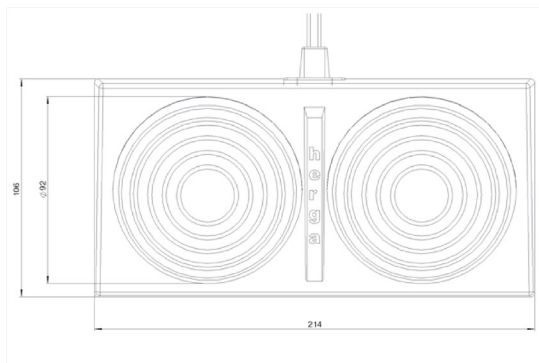


General specifications

Standards/ approvals	N/A	Operating temperature range	-10° C to +40° C
Connection method	Twin tubing 1.5mm I/D	Body material	Thermoplastic
Electrical rating	N/A	Weight	0.3Kg or 0.6Kg
Contact configuration	N/A	Pressure range	Works with 6871, 6872, 6773, 6753, 6891, 6893, 6861, 6862, 6863, 6864, 6869 – dependent on tube length

Recommended depression time is 30 seconds, for applications requiring a greater period please contact sales to discuss further.

Reference dimensions in mm



6447 Twin Foot Bellows

Ordering and options

