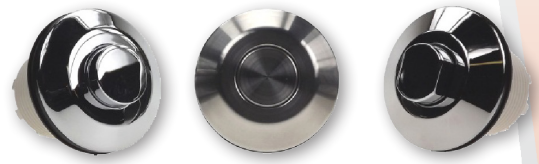


6442 Large Push Button

- Choice of button/escutcheon materials
- Choice of colours
- Choice of tube options
- Large air volume for longer tube lengths

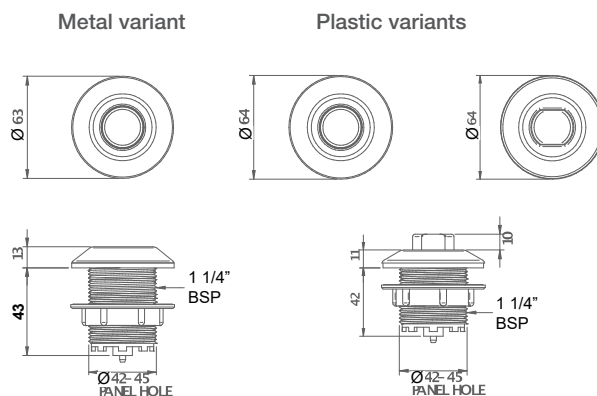


General specifications

Standards/ approvals	n/a	Operating temperature range	-10°C to +40°C
Connection method	Via back entry spout, 4mm dia. or 2mm dia.	Body material	Thermoplastic
Electrical rating	n/a	Weight	Plastic – 0.063Kg; metal – 0.2Kg
Contact configuration	See table	Additional information	Available as a vandal resistant version 6443
Pressure range	Compatible with 6871, 6872, 6773, 6753, 6891, 6893, 6861, 6862, 6863, 6864, 6869 – dependent on tube length		

Recommended depression time is 30 seconds, for applications requiring a greater period please contact sales to discuss further.

Reference dimensions in mm



6442 Large Push Button

Ordering and options

Stock models : 6442-BAAA-A000
6442-BCCA-A000

6442 - -

Model

Button type - please see note below

- A Flush double D button
- B Raised double D button (10 mm high)
- C Extended double D button (16 mm high)
- D Flush round button
- E Raised round button
- Z No button required

Button finish - please see note below

- | | |
|-------------------|-----------------------|
| A White | G Red |
| B Brilliant white | N Chrome plated brass |
| C Chrome | P Stainless steel |
| D Gold | Z None supplied |
| F Black | |

Escutcheon finish - please see note below

- | | |
|-------------------|-----------------------|
| A White | G Red |
| B Brilliant white | N Chrome plated brass |
| C Chrome | P Stainless steel |
| D Gold | Z None supplied |
| F Black | |

Bellows option

- A Bellows - \varnothing 4 mm spout to suit 2311-01/08 tube
- B Bellows - \varnothing 2 mm spout to suit 2311-03 tube
- Z No bellows required

Nut & washer option

- A Supplied with nut & washer
- Z No nut & washer required

Note: Button type "D" - metal and non-plated versions only
Button finish option 'P' - stainless steel can only be supplied as a flush button

For vandal resistant version, order 6443-0001, similar to 6442-DPPA-A000 (stainless)