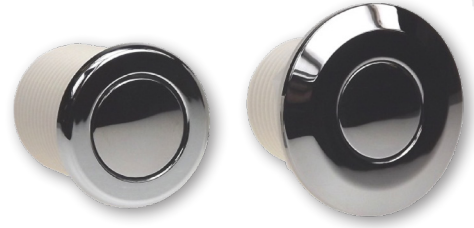


6438 Mini Push Button

- Compact size
- Choice of button/escutcheon materials & colours
- Low profile above surface
- Choice of tube options
- Large air volume for longer tube lengths

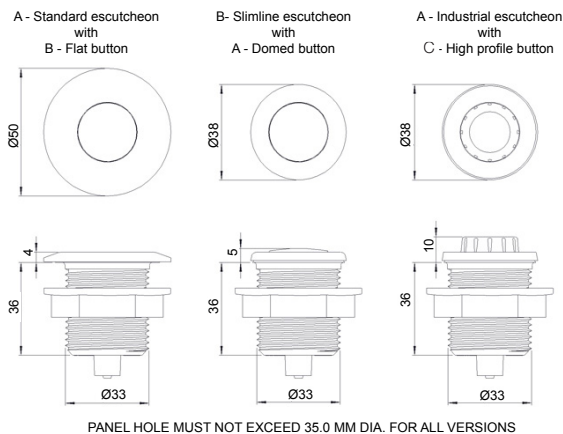


General Specifications

Standards/ approvals	n/a	Operating temperature range	-10° C to +40° C
Connection method	Via back entry spout, Ø4mm or Ø2mm	Body material	Thermoplastic
Electrical rating	n/a	Weight	Plastic – 0.03Kg
Contact configuration	n/a	Additional information	A longer threaded body version to suit up to 50mm panels is available upon request
Pressure range	Compatible with 6871, 6872, 6773, 6753, 6891, 6893, 6861, 6862, 6863, 6864, 6869 – dependent on tube length		

Recommended depression time is 30 seconds, for applications requiring a greater period please contact sales to discuss further.

Reference dimensions in mm



Ordering and options

Stock models : 6438-ACAC-AB00
6438-ABAB-AB00

6438 - - 0 0

Model

Escutcheon type -

- A Standard
- B Slimline
- C Industrial
- Z No escutcheon required

Escutcheon finish -

A White	D Gold
B Brilliant white	F Black
C Chrome	Z None supplied

Button type -

- A Domed
- B Flat with textured finish
- C High profile
- Z None supplied

Button finish -

A White	D Gold
B Brilliant white	F Black
C Chrome	Z None supplied

Bellows type & spout diameter

- A Silicone bellows Ø4 mm
- B Silicone bellows Ø2 mm
- C Standard bellows Ø4 mm
- D Standard bellows Ø2 mm

Nut & washer option

- A Supplied with nut only
- B Supplied with nut & washer
- Z No nut & washer required

