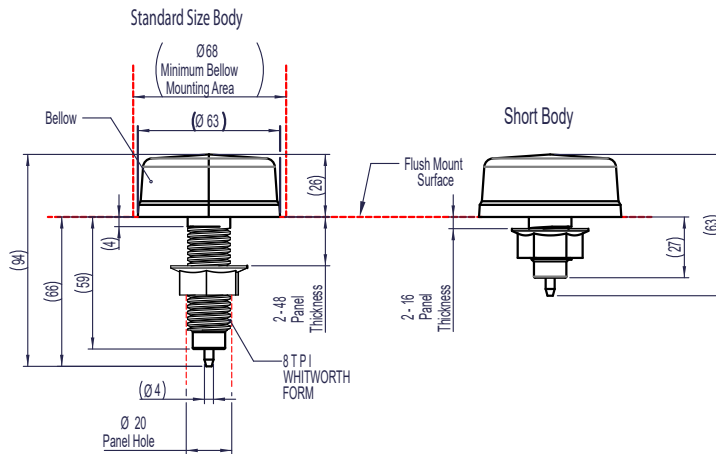


6433 Panel Mount Bellows

- Durable bellows designed for flush panel mounting
- Available with shorter shank upon request
- Easily cleaned



Reference dimensions mm



General specifications

Standards/approvals	n/a	Air connection	Spout, 4mm dia.
Connection method	Via back entry spout, 4mm dia.	Panel thickness	2.0mm to 48.0mm
Electrical rating	n/a	Tube reference	2311-01 or 2311-08
Contact configuration	n/a	Operating temperature range	0° C to +60 °C
Pressure range	Works with 6871, 6872, 6773, 6753, 6891, 6893, 6861, 6862, 6863, 6864, 6869 – dependent on tube length	Body material	Thermoplastic
		Weight	0.053Kg
		Additional information	Other colour options available upon request. Ask our sales team about the short threaded option (better suited for mounting in thin panels)

Recommended depression time is 30 seconds, for applications requiring a greater period please contact sales to discuss further.

Ordering & Options

Stock models:

6433-ZA00	Black	6433-0004	Blue
6433-ZC00	White	6433-0011	Red short body
6433-ZF00	Green		

6433 - Z [] 0 0

Model
Colour option -

- A Black
- B Grey
- C White
- D Red
- F Green