

6255 'Mistral' Industrial Foot Air Valve

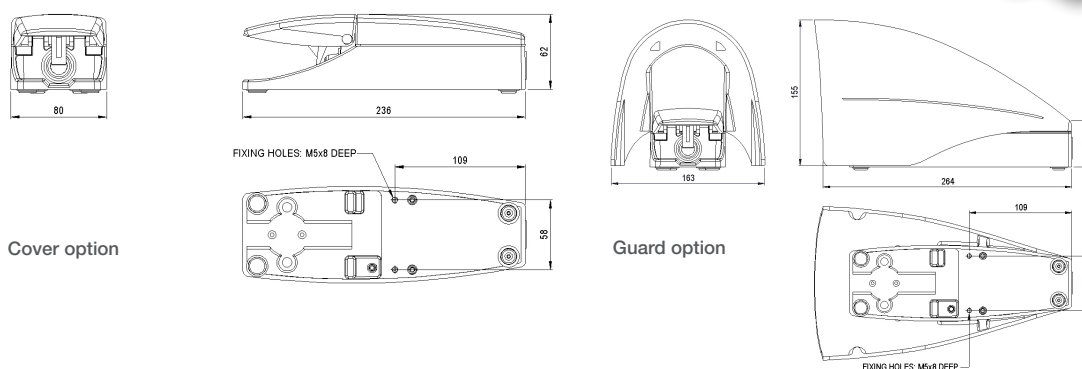


Technology Ltd

- The Mistral offers high performance and style
- Average life expectancy 1 x 10⁶ operations
- Rugged high performing heavy duty footswitch
- Available in a choice of colour combinations and valve port threads
- The guard is large enough to allow operator to wear industrial protective shoes



Reference dimensions



Ordering information

Stock models :

6255-AAAA-AAZ0
6255-BAAA-AAZ0

6255 - A A A A - A A Z 0

Model

Cover and guard colours

- | | |
|----------------|----------------|
| A Cover Yellow | B Guard Yellow |
| C Cover White | D Guard White |
| E Cover Blue | F Guard Blue |

Other colours available subject to MOQ – contact sales for details

Base colour

- A Black

Base configuration

- A Entrance ports on each side of base

Tread colour

- A Black

Valve action

- A Momentary 5/2 valve 1/8" BSP ISO R228 Standard
B Momentary 5/2 valve 1/8" NPT

Pneumatic rating

- A Maximum operating pressure: 10,000 mbar, Temperature -20°C to +80°C



Subject to change without notice

6255 'Mistral' Industrial Foot Air Valve Herga

Technology Ltd

Technical data

Maximum operating pressure	10 bar (145 PSI / 1000 kPa)
Air condition	Filtered to 40 microns lubricated or dry
Flow rate at 6 bar (87 PSI / 600 kPa)	22 CFM (620 NL/min)
Ports	ISO R228 (1/8" BSP) standard or NPT
Orifice size	6 mm

General specifications

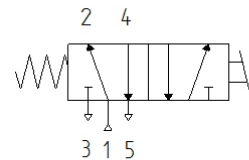
Standards/approvals	n/a
Connection method	n/a
Electrical rating	n/a
Contact configuration	See table
Pressure range	10 bar max.

Operating temperature range	-5 °C to +50 °C
Body material	Die cast aluminium
Weight	Cover/unguarded 0.8 Kg / guarded 1.5 Kg
Additional information	

Connection data

Valve connected as a 5/2 Valve

- The air supply should be connected to port 1
- Port 2 and 4 are outlet or cylinder ports
- Ports 3 and 5 are exhaust ports and should be left open to atmosphere or fitted with silencers. See note below



Note:

We recommend that the exhaust ports of the valve are fitted with silencers. These will reduce the noise of the exhausting air and prevent dirt entering the valve.

