

6252 Heavy Duty Footswitches

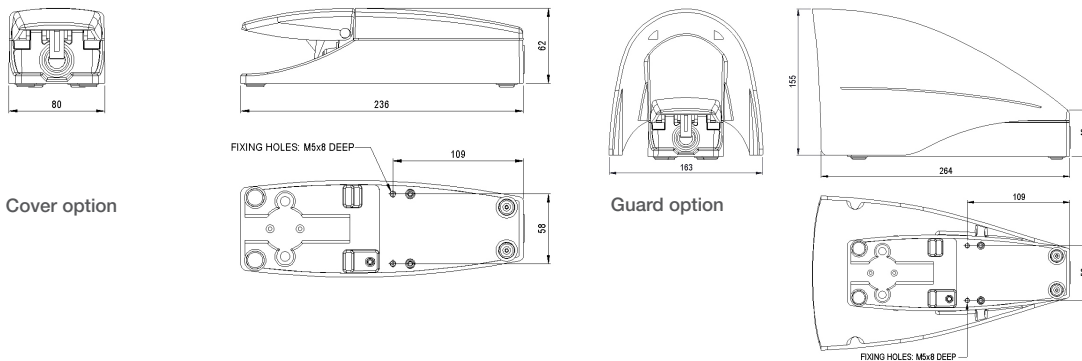


Technology Ltd

- Average life expectancy 1 x 10⁶ operations
- Rugged high performing heavy duty footswitch
- Customer colours and logos available on request
- Forced break positive opening contacts
- Distinctive styling



Reference dimensions



Ordering and options

Stock models : 6252-AAAA-AAZ0
6252-BAAA-AAZ0

6252- [] [] [] A - [] [] Z []

Model

Cover and guard colours

- | | |
|----------------|----------------|
| A Cover Yellow | B Guard Yellow |
| C Cover White | D Guard White |
| E Cover Blue | F Guard Blue |

Other colours available subject to MOQ – contact sales for details

Base colour

- | | |
|---------|---------|
| A Black | B White |
|---------|---------|

Thread/Hole information

- A M20 Rear hole
- B PG 13.5 Rear hole
- C PG 13.5 Rear hole with double M20 side holes
- D PG 13.5 Rear hole with double PG 13.5 side holes

Tread colour

- A Black

Action/Electrical rating

- AA DPST Single Operation, Slow Break & Make ; AC-15 6A 250V
- BB DPST Single Operation, Snap Break & Make ; AC-15 6A 250V
- DB 4PST Double Operation, Snap Break & Make ; AC-15 6A 250V
- EA 4PST Double Operation, Slow Break & Make ; AC-15 6A 230V
- MB DPST + DPST staggered Double Action (High Force), Snap Break & Make ; AC-15 6A 230V

Emergency stop

- Z No emergency stop fitted

Double pedal versions with/without guard available, to find out more, talk to our sales department.



Subject to change without notice

6252 Heavy Duty Footswitches



Technology Ltd

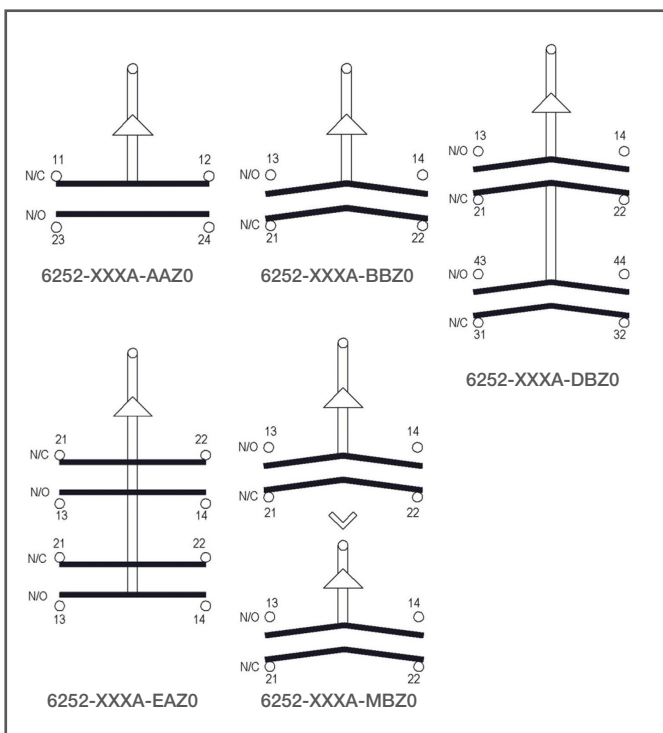
General specifications

| | | | |
|-----------------------|---|-----------------------------|---|
| Standards/approvals | EN60204-1 with switching to meet EN60947-5-1, DIN VDE 0660-200, IEC 60947-5-1 | Operating temperature range | -25°C to +60°C |
| Degree of protection | EN 60529 IP67 (IP68 upon request) | Body material | Die cast aluminium |
| Connection method | Screw terminals, stripped cable cores or connector of your choice | Weight | Cover/unguarded 1Kg or 1.5Kg guarded |
| Electrical rating | See table below | Average mechanical life | 1 x 10 ⁶ operations |
| Contact configuration | See table below | Additional information | the electrical housing has an environmental rating of IP67. To achieve this, a minimum torque of 1.7N should be applied to the two enclosure screws |

| | Options A & B in electrical rating section | Options D in electrical rating section | |
|---------------------------|--|--|-----------------|
| Rated operating voltage | 500V AC, over 380V AC same potential only | | |
| Rated operational current | AC 40 - 60 Hz | | |
| | Le/AC-12 (A) | Ue (V) | Le/AC-15 (A) |
| | 10 | 24 | 10 |
| | 10 | 125 | 10 |
| | 10 | 230 | 6 |
| | 10 | 400 | 4 |
| | 10 | 500 | 3 |
| | Limit switches also available with gold contacts | | |

Note: When the footswitch is supplied with a pre-wired cordset, the cordset rating takes precedence over the footswitch rating. The rating will be marked on the cordset

| | | | | | |
|--|---|-----------------------|--|-----------------------------------|--------------------|
| Electrical Life Expectancy at Category AC-15 | 0.5 X 10 ⁶ switching cycles when interrupting 6A AC-15 at 250V | | | | |
| Contact configuration | Normally open + normally closed positive opening operation to EN 60947-5-1 | | | | |
| Contact Gap | >3mm, suitable for mains isolation | | | | |
| Terminals | Screw terminals and self-lifting clamp for connection of flexible leads; min. 2 x 1.5 mm ² - max. 2 x 2.5 mm ² | | Screw terminals for connection of flexible lead wire; min. 1 x 0.5 mm ² - max. 2 x 2.5 mm ² | | |
| Action Type from Order Code | A | B | D | E | MB |
| Limit switch action | 1 Pole Slow Make Slow Break | 1 Pole Snap Action | 2 Pole Snap Action | 2 Pole Slow Make Slow Break | Double snap action |



In all applications except where protective extra low voltage (PELV) circuits are being switched, an earth conductor must be installed. The earth conductor should be rated in accordance with the prevailing standards.



Herga Technology Ltd - Northern Way - Bury St. Edmunds - Suffolk - IP32 6NN - UK
sales@herga.com • www.herga.com • +44 (0)1284 701422

Subject to change without notice