

- Lightweight operation over the entire top surface
- Designed to withstand heavy loads
- Customer colours and logos available upon request
- These switches may be used in multipedal configurations
- Snap contact and latching options

Momentary model



Latching model

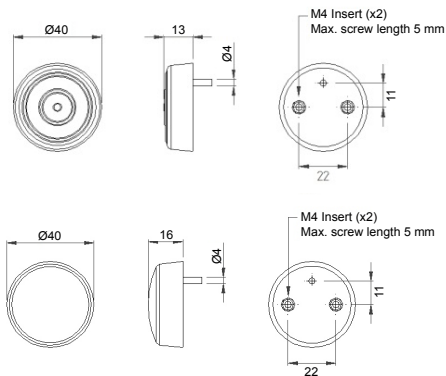


General Specifications

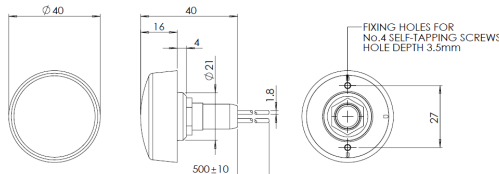
Standards / Approvals	UL File No: E353500 • EN 60601-1:2007/A2:2021 • IEC 60601-1:2005+AMD1:2012+AMD2:2020 • CAN/CSA C22.2. No 60601-1:08 • CAN/CSA C22.2. No 60601-1-14/A1+A2:2022 • ANSI/AAMI ES60601-1:2005/A1:2012 +A2:2021 • IEC 60601-2-2: 2023 • IEC 60601-2-52: 2009/AMD1:2015 • CAN/CSA-C22.2 NO. 60601-2-52:11/AMD1:2017 • IEC 60601-2-43: 2022 • IEC 60601-2-46: 2023
Degree of protection	EN 60529 IP67 (IP68 upon request)
Connection method	Stripped cable cores or connector of your choice
Electrical rating	See table
Contact configuration	SPST N/O
Operating and storage temperature	+ 10°C to + 50°C
Body material	Thermoplastic
Weight	0.06 kg

Reference Dimensions

Momentary model



Latching model



Different button options

Ordering and Options

Stock models : 6241-BAAB-BBAZ-Z
6241-BBAB-BAAZ-Z

6241 - X X X X - X X X Z - X

Model

Bellows type

A Flat B Domed

Colour option

A Black E Green
B Grey G Yellow
C White H Blue

Mounting option

A Back entry base, M4 inserts fitted
B Back entry base, no inserts fitted
C Back entry base, No. 4 self tapping screw

Switch action & rating -

A Single Pole Normally Open Contact 50mA 12VDC (Operating force < 10N)
B Single Pole Normally Open Contact 50mA 24VDC (Operating force < 10N)
C Single Pole Normally Open Contact 50mA 24VDC (Operating force > 10N, Nom = 15N)
D Single Pole Normally Open Snap Contact 50mA 24VDC (Operating force < 10N, Nom = 6N)
E Single Pole Normally Open Snap Contact 50mA 24VDC (Operating force > 10N, Nom = 27N)
F Latching Action Single Pole OFF-ON Contacts 1.75A 24Vdc (Operating force < 10N)

(Option C, D & E only available with domed bellows)
(Option F only available with self tapping screws)
(Option F only available with flying lead terminals)

Approvals

B IEC 60601-1 and UL 60601-1

Cordset (Option C only available on Latching Switch)

A 2 Core black 24 awg. Rating 1.75A max 250Vac C Flying Lead Terminals (20AWG)
B 2 Core grey 24 awg. Rating 1.75A max 250Vac Z No Option Chosen

Cable length Options

A 2 m C 5 m
B 3 m D 10 m
Z No option chosen. See special attributes.

No option available

Special attributes

001 through to 999, or Z; Customer specified/supplied cordset for factory fitting with or without plug. The suitability may not be covered by UL. Customer specified identification and label combination. Guard and mounting plates. Z indicates no option chosen

