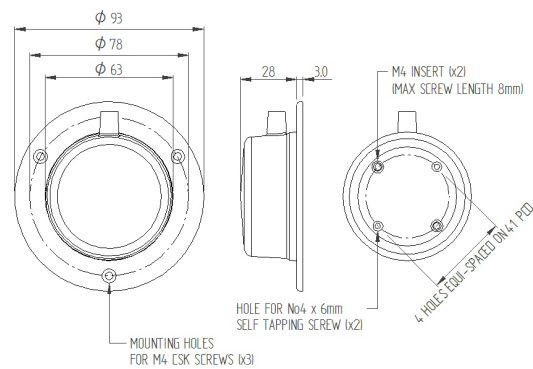


6240 Footswitch

- Ideal for hand or foot operation
- Tough flexible cover
- Choice of colours (others available)
- Change over contact variant
- Available with plastic base plates for added stability or permanent fixing or additionally with anti-slip rubber or foam pads



Reference dimensions in mm



Specifications

Standards/approvals	Low voltage directive 2014/35/EU	Operating temperature range	-5°C to +40°C
Degree of protection	EN 60529 IP67 (IP68 upon request)	Body material	Thermoplastic
Connection method	Stripped cable cores or connector of your choice	Weight	0.25 kg
Electrical rating	SPST N/O, SPST N/C, SPCO	Additional information	250V AC versions available upon request Non mounting hole versions supplied with foam pad
Contact configuration	See table below		
Pressure range	n/a		

6240 Footswitch

Ordering and options

Stock models : 6240-AFAA-ZA00
6240-DFAA-ZA00

6240 - -

Model

Colour option -

- | | |
|---------|---------|
| A Black | D Red |
| B Grey | F Green |
| C White | |

Mounting option -

- | | |
|--|--|
| C No mounting plate but with M4 inserts fitted | G Black plastic plate without mounting holes |
| D Grey plastic plate with mounting holes | H Chrome plated plastic plate with mounting holes |
| E Grey plastic plate without mounting holes | J Chrome plated plastic plate without mounting holes |
| F Black plastic plate with mounting holes | Z No mounting plate or inserts supplied |

Contact configuration

- | | |
|------------|-------------------------------|
| A SPST N/O | |
| B SPST N/C | C SPCO (3-core cable minimum) |

Cable length

- | | |
|------|-------|
| A 2m | C 5m |
| B 3m | D 10m |

IP40 cordset rating

- | |
|---|
| A 3A 24V AC/DC, 2-core black cable, silver contacts |
| C 0.1A 24V AC/DC, 2-core black cable, gold contacts |
| D 3A 24V AC/DC, 3-core black cable, silver contacts |
| F 0.1A 24V AC/DC, 3-core black cable, gold contacts |
| Z No option chosen |

IP67 cordset electrical rating

- | |
|---|
| A 3A 24V AC/DC, 2-core black cable, silver contacts |
| C 0.1A 24V AC/DC, 2-core black cable, gold contacts |
| D 3A 24V AC/DC, 3-core black cable, silver contacts |
| F 0.1A 24V AC/DC, 3-core black cable, gold contacts |
| Z No option chosen |

Accessories

Part Number	Description
6202-0001	Single Black RAL 9005 guard
6202-0002	Single Grey RAL 7035 guard
6202-0003	Twin Grey RAL 7035 guard

