

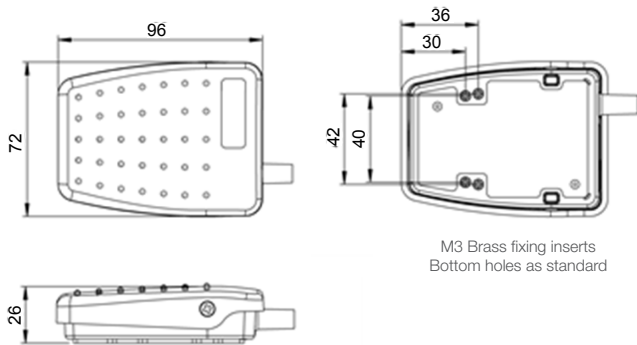
6225 Medical Foot Switches

For IPX2 single & double pole switching
UL Approved / IEC 60601-1

Technology Ltd

- Low profile, rear hinged switch designed for improved user comfort
- All plastic construction with raised tread pattern and anti-slip pad
- Versatile and innovative design make it an ideal product for OEM use
- Switches designed to meet medical, industrial/office/commercial standards
- Option for customers to fit own cable

Reference dimensions



General specifications

Standards/approvals	UL file reference E353500 ANSI/AAI ES60601-1, A1:2012, C1:2009/(R) 2012 and A2:2010 (R) 2012 CSA CAN/CSA-C22.2 No 60601-1-14 IEC 60601-1 Ed 3.1 (2012) EN 60601-1:2006 & A1:2013 & A12:2014 BS EN 62368-1:2014 & A11:2017
Degree of protection	EN 60529 IPX2
Connection method	Stripped cable cores, USB or connector of your choice
Electrical rating	Max. 3A 24V AC/DC
Contact configuration	SPST N/O, SPST N/C, SPCO, DPST N/O, DPST N/C, DPCO

Operating temperature range	-20 to +60°C
Body material	Thermoplastic
Weight	0.14Kg (including cable)
Additional information	Customized versions available (logos, cordsets, colours, guards)



