

6221 Leptron Foot / Palm Switches



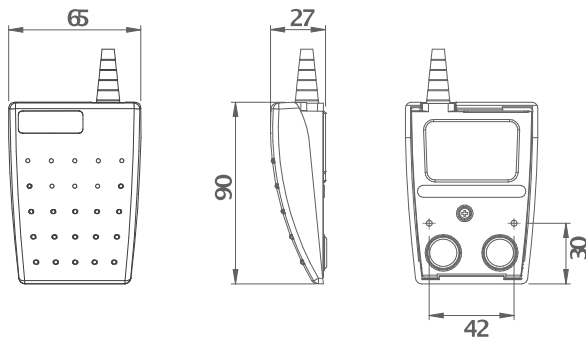
Technology Ltd

For IPX7 and Double Pole Switching

- Low profile switch designed for improved user comfort
- All plastic construction with raised tread pattern, ideal for palm or foot operation
- Choice of operating force
- Versatility and innovative design make it an ideal product for OEM use
- Switches are designed to meet industrial and office/commercial standards (for medical approval, see 6224)
- Option for customers to fit own cables



Reference dimensions



General specifications

Standards/approvals	Footswitch: low voltage directive 2014/35/EU, EN 60950 Microswitch: BS EN 61058-1
Degree of protection	EN 60529 IPX7 (IPX8 upon request)
Connection method	Stripped cable cores or connector of your choice
Electrical rating	See ordering information
Contact configuration	SPST N/O, SPST N/C, SPCO, DPST N/O

Operating temperature range	-5°C to +40°C
Body material	Thermoplastic
Weight	0.212Kg (including cable)
Additional information	Customized versions available (logos, cordsets, colours, guards)

Ordering & Options

6221 - -

Model

Cover and base colour options

A	Black cover & black base
B	Grey cover & black base
C	Yellow cover & black base
D	Green cover & black base
E	Red cover & black base
F	Black cover & grey base
G	Grey cover & grey base
H	Yellow cover & grey base
J	Green cover & grey base
K	Red cover & grey base
L	Blue cover & black base

Base configuration

A	Base filled with M3 brass inserts
Z	No inserts in base - can be mounted using self tapping screws

Pedal operation

A	Light, suitable for hand operation
B	Heavy, suitable for foot operation

Switch action

A	SPST N/O Choose 2-core cordset from 2- & 3-core cordset section
B	SPOO Choose 3-core cordset from 2- & 3-core cordset section
C	DPST N/O Choose 4-core cordset from either 4-core cordset section

Only one cordset selection can be made from 1 of the next 4 sections, enter Z - for no option chosen for the remaining sections

Cordset sealed to IPX7 (BS EN 60529)

Z	No option chosen
---	------------------

4-core cordset sealed to IPX7 (BS EN 60529)

A	3A 24V AC/DC, 0,5mm ² 4-core black cable, 2 m long, ends stripped 30 mm
B	3A 250V AC/DC, 0,5mm ² 4-core black cable, 2 m long, ends stripped 30 mm
C	0.1A 24V AC/DC, 0,5mm ² 4-core black cable, 2 m long, ends stripped 30 mm
Z	No options chosen

2- & 3-core Cordset sealed to IPX7 (BS EN 60529) (IP68)

A	3A 24V AC/DC, 0,75mm ² 2-core black cable, 2 m long, ends stripped 30 mm
B	3A 250V AC/DC, 0,75mm ² 2-core black cable, 2 m long, ends stripped 30 mm
C	0.1A 24V AC/DC, 0,75mm ² 2-core black cable, 2 m long, ends stripped 30 mm
D	3A 24V AC/DC, 0,5mm ² 3-core black cable, 2 m long, ends stripped 30 mm
E	3A 250V AC/DC, 0,5mm ² 3-core black cable, 2 m long, ends stripped 30 mm
F	0.1A 24V AC/DC, 0,5mm ² 3-core black cable, 2 m long, ends stripped 30 mm
Z	No options chosen

4-core cordset sealed to IPX7 (BS EN 60529)

A	3A 24V AC/DC, 0,75mm ² 4-core black cable, 2 m long, ends stripped 30 mm
B	3A 250V AC/DC, 0,75mm ² 4-core black cable, 2 m long, ends stripped 30 mm
C	0.1A 24V AC/DC, 0,75mm ² 4-core black cable, 2 m long, ends stripped 30 mm
Z	No options chosen