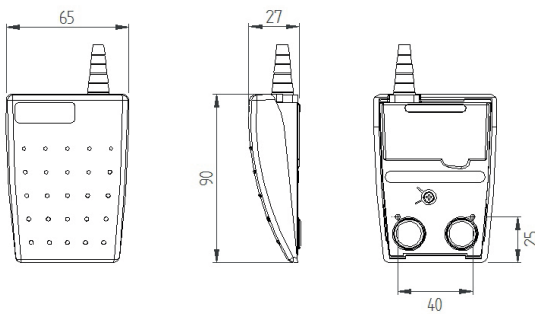


- Low profile switch designed for improved user comfort
- All plastic construction with raised tread pattern, ideal for palm or foot operation
- Versatile & innovative design make it an ideal product for OEM applications
- Switches are designed to meet industrial and office/commercial standards (For medical approval, see 6223)



## Reference dimensions



## General specifications

<b>Standards/approvals</b>	Footswitch: low voltage directive 2014/35/EU, EN 60950
<b>Degree of protection</b>	EN 60529 IPX2
<b>Connection method</b>	Stripped cable cores or connector of your choice
<b>Electrical rating</b>	See ordering information
<b>Contact configuration</b>	SPST N/O, SPST N/C, SPCO
<b>Pressure range</b>	n/a

<b>Operating temperature range</b>	-5°C to +40°C
<b>Body material</b>	Thermoplastic
<b>Weight</b>	0.212Kg (including cable)

## Ordering & Options

6220 -     -

Model

### Cover and base colour

A	Black cover & black base	G	Grey cover & grey base
B	Grey cover & black base	H	Yellow cover & grey base
C	Yellow cover & black base	J	Green cover & grey base
D	Green cover & black base	K	Red cover & grey base
E	Red cover & black base	L	Blue cover & black base
F	Black cover & grey base		

### Base configuration

A	Base filled with M3 brass inserts
Z	No inserts in base - can be mounted using self tapping screws

### Pedal operation

A	Light, suitable for hand operation
B	Heavy, suitable for foot operation

### Switch action

A	SPST N/O
B	Choose 2-core cordset below
	SPO
	Choose 3-core cordset below
E	Kit of parts supplied loose
	See No cordset options below

Only one cordset selection can be made from 1 of the 4 following sections, enter Z - for no option chosen for the remaining sections

### 2-core cordsets sealed to IPX2 (BS EN 60529)

A	3A 24V AC/DC, 0,75mm <sup>2</sup> , 2-core black cable, 2 m long
B	3A 250V AC/DC, 0,75mm <sup>2</sup> , 2-core black cable, 2 m long
C	1.75A 24V AC/DC, 2-core black 'UL' cable, 2 m long
D	1.75A 24V AC/DC, 2-core white 'UL' cable, 2 m long
E	3A 24V AC/DC, 0,75mm <sup>2</sup> , 2-core shielded flexible black cable, 2 m long
F	0.1 A 24V AC/DC, 2-core black cable, 2 m long
G	0.1 A 240 V AC, 2-core black cable, 2 m long
H	0.1 A 24V AC/DC, 2-core black 'UL' cable, 2 m long
J	0.1 A 24V AC/DC, 2-core white 'UL' cable, 2 m long
K	0.1 A 24V AC/DC, 2-core shielded flexible black cable, 2 m long
Z	No option chosen

### 3-core cordsets sealed to IPX2 (BS EN 60529)

A	0.1 A 24V AC/DC, 3-core light grey cable, 2 m long
B	3A 250V AC, 3-core black cable, 2 m long
C	0.1 A 240 V AC, 3-core black cable, 2 m long
D	3A 24V AC/DC, 0,75mm <sup>2</sup> , 3-core black cable, 2 m long
E	1.75A 24V AC/DC, 3-core screened grey cable, 2 m long
Z	No option chosen

### Cordsets with plugs, sealed to IPX2 (BS EN 60529)

A	0.1 A 24V AC/DC, 2-core black 'UL' cable, 2 m long, 3.5 mm Mono Jack-plug
B	0.1 A 24V AC/DC, 2-core white 'UL' cable, 2 m long, 3.5 mm Mono Jack-plug
C	0.1 A 24V AC/DC, 2-core screened grey cable, 2 m long, 3.5 mm Mono Jack-plug
D	0.1 A 24V AC/DC, 2-core screened flexible black cable, 2 m long, 6.35 mm Mono Jack-plug
E	0.1 A 24V AC/DC, 3-core light grey cable, 2 m long, 3.5 mm Stereo Jack-plug
F	0.1 A 24V AC/DC, 3-core screened grey cable, 2 m long, 6.35 mm Stereo Jack-plug
Z	No option chosen

### No cordset, IPX2, Customer to fit own cordset

A	Microswitch fitted: SPCO 16 A 250 V, 6.35 mm x 0.8 Push-on tag
B	Microswitch fitted: SPCO 0.1A 250 V, 6.35 mm x 0.8 Push-on tag
C	Microswitch fitted: SPCO 16 A 250 V, Solder tag
D	Microswitch fitted: SPCO 0.1A 250 V, Solder tag
Z	No option chosen

Note: The cordset rating must exceed the maximum control circuit rating. Options B & D are low power switches and must only be used in applications where suitably designed constraints are met.